

# DESCALING VALVE



SPRAY VALVE



SAFETY VALVE FOR PUMPS



PRESSURE ADJUSTMENT VALVE

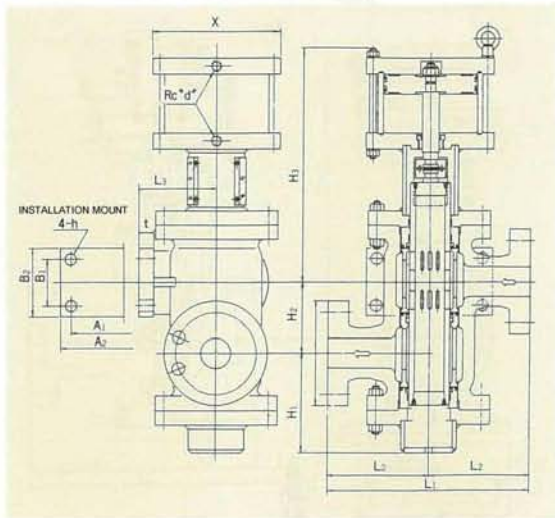


**Silent Technology KANEKO**



## SPRAY VALVE

### SC-F4 SERIES



#### ■ SPECIFICATIONS

- FLUID : INDUSTRIAL WATER
- MAX. WORKING PRESSURE : CLASS 1500LB
- OPERATION AIR PRESSURE : 0.294~0.686 MPa

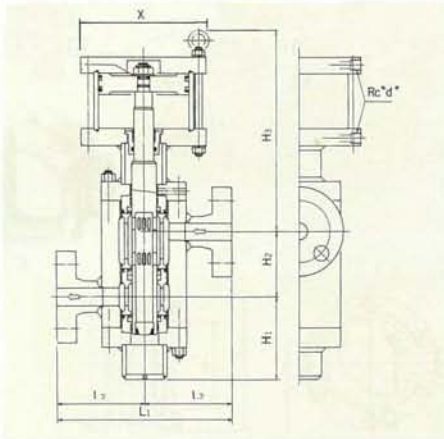
#### ■ USE

- SPRAY VALVES FOR DE-SCALING, UNLOADING VALVE AND HEAT PROTECTION VALVE IN STEEL INDUSTRY.

SIZE	L <sub>1</sub>	L <sub>2</sub>	H <sub>1</sub>	H <sub>2</sub>	H <sub>3</sub>	X	Rc <sup>3/4</sup> d <sup>ø</sup>	L <sub>3</sub>	t	A <sub>1</sub>	A <sub>2</sub>	B <sub>1</sub>	B <sub>2</sub>	h	Cv
80A	500	250	255	170	610	330	3/4	200	40	250	310	120	180	33	76
100A	600	300	295	210	690	380	1	230	45	315	375	140	200	33	124
150A	690	345	400	335	910	475	1	275	55	368	444	152	230	39	254

## SPRAY VALVE

### SF-F4 SERIES



#### ■ SPECIFICATIONS

- FLUID : INDUSTRIAL WATER
- MAX. WORKING PRESSURE : CLASS 1500LB
- OPERATION AIR PRESSURE : 0.294~0.686 MPa

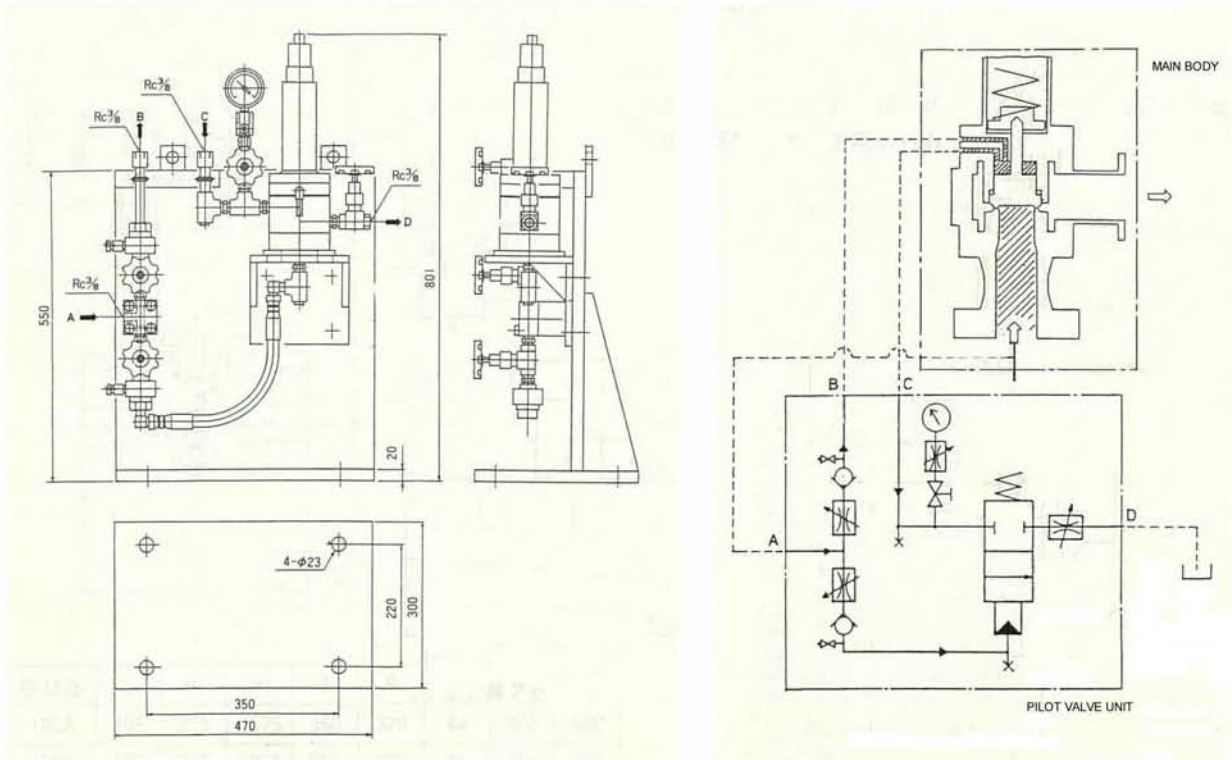
#### ■ USE

- SPRAY VALVES FOR DE-SCALING, UNLOADING VALVE AND HEAT PROTECTION VALVE IN STEEL INDUSTRY.

SIZE	L <sub>1</sub>	L <sub>2</sub>	H <sub>1</sub>	H <sub>2</sub>	H <sub>3</sub>	X	Rc <sup>1/2</sup> d <sup>ø</sup>	Cv
32A	330	165	160	130	410	250	1/2	18
40A	350	175	160	130	410	250	1/2	23
50A	400	200	200	140	465	270	1/2	32
65A	430	215	200	140	480	270	1/2	58

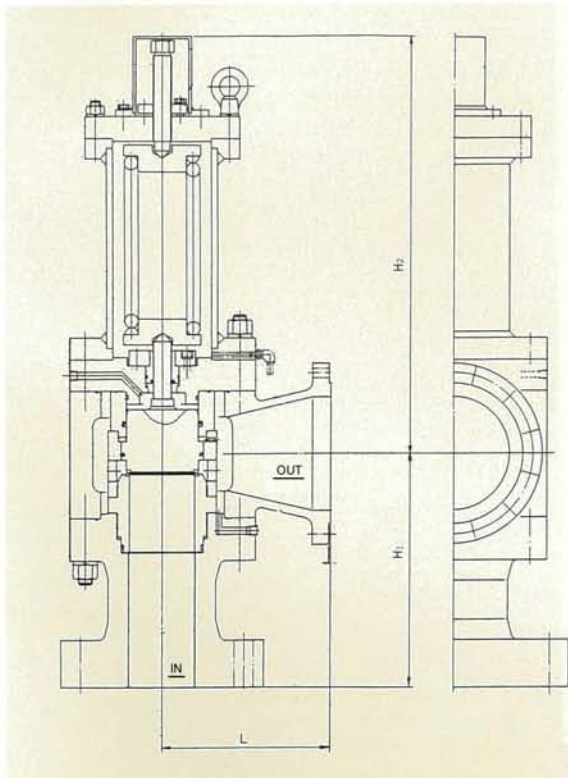
## SAFETY VALVE FOR PUMPS

### PILOT ACTING SAFETY VALVE UNIT



## SAFETY VALVE FOR PUMPS

### PILOT ACTING SAFETY VALVE BODY

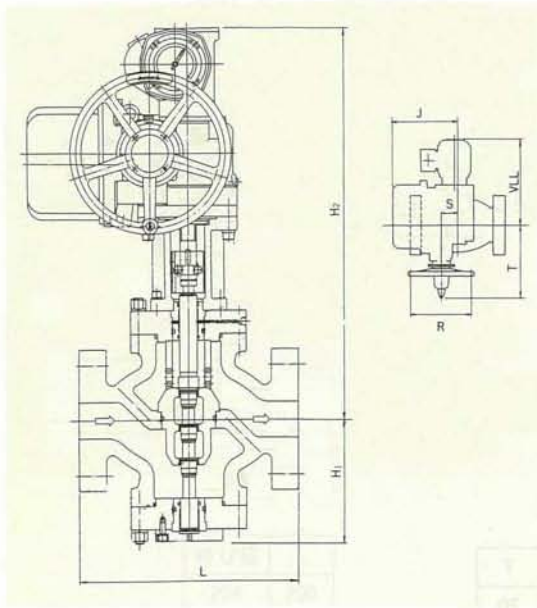


#### ■ SPECIFICATIONS

- FLUID : INDUSTRIAL WATER
- MAX. SETTING PRESSURE : 19.6 MPa

SIZE IN X OUT	L	H <sub>1</sub>	H <sub>2</sub>
100A × 150A	250	350	610
150A × 150A	350	440	795
150A × 200A	370		
200A × 200A	450	500	880

## PRESSURE ADJUSTMENT VALVE (PRESSURE UP VALVE)



### ■ SPECIFICATIONS

- FLUID : INDUSTRIAL WATER
- MAX. WORKING PRESSURE : CLASS 1500LB

### ■ USE

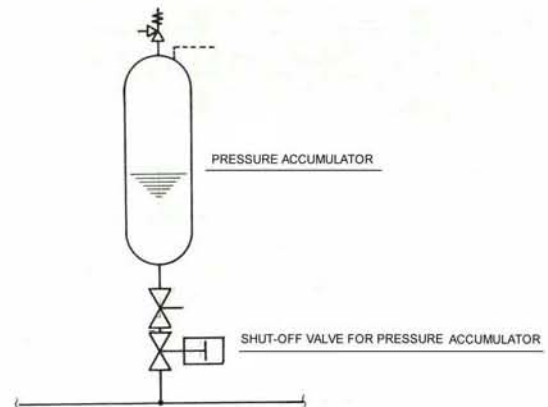
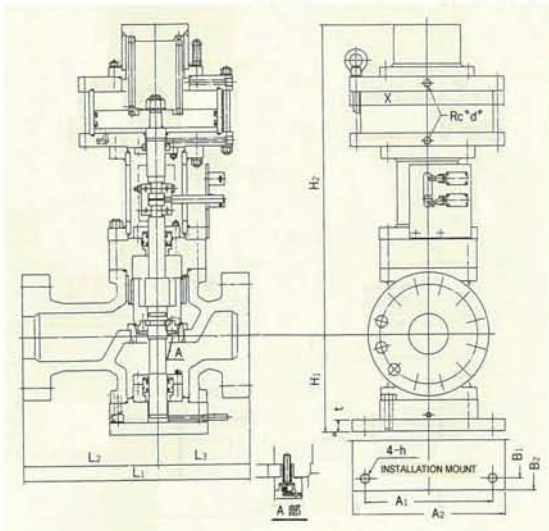
- ACTIVATING PLUNGER PUMP TO CAUSE PRESSOR ACTION GRADUALLY.

SIZE	L	H <sub>1</sub>	H <sub>2</sub>	J	R	S	T	VLL
100A	495	275	875	360	320	84	360	500
150A	600	375	1000	360	320	84	360	500

## SHUT-OFF VALVE FOR PRESSURE ACCUMULATOR

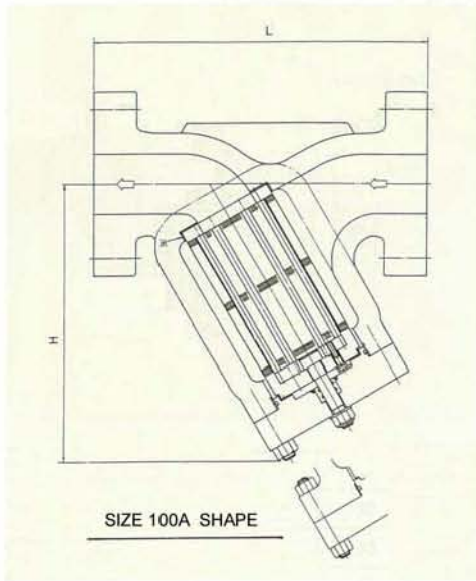
### ■ SPECIFICATIONS

- FLUID : INDUSTRIAL WATER
- MAX. WORKING PRESSURE : CLASS 1500LB
- OPERATION AIR PRESSURE : 0.294~0.686 MPa



SIZE	L <sub>1</sub>	L <sub>2</sub>	L <sub>3</sub>	H <sub>1</sub>	H <sub>2</sub>	X	Rc*d*	A <sub>1</sub>	A <sub>2</sub>	B <sub>1</sub>	B <sub>2</sub>	h	t
100A	630	380	250	270	850	340	1/2	390	450	390	450	27	32
150A	740	440	300	310	990	500	3/4	420	500	240	320	27	38
200A	950	520	430	460	1400	600	1	600	720	350	470	33	42

## Y TYPE STRAINER

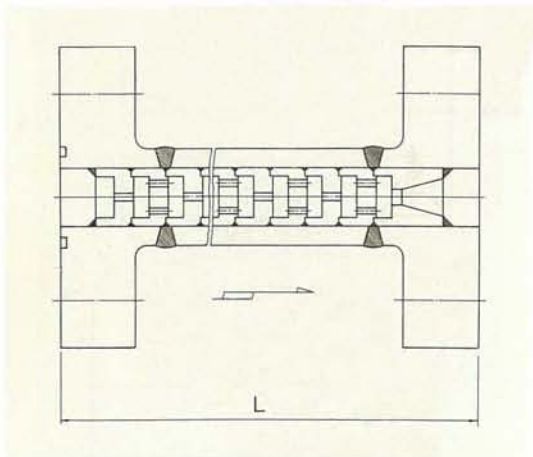


### ■ SPECIFICATIONS

- FLUID : INDUSTRIAL WATER
- MAX. WORKING PRESSURE : CLASS 1500LB
- FILTRATION CLASS : EQUIVALENT TO 40 MESH

SIZE	L	H
100A	610	450
150A	705	590

## MULTISTAGE ORIFICE FOR PIPES



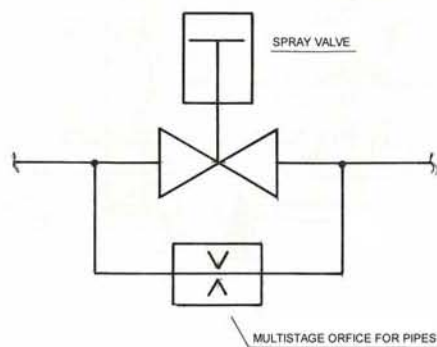
### ■ SPECIFICATIONS

- FLUID : INDUSTRIAL WATER
- MAX. WORKING PRESSURE : CLASS 1500LB

### ■ USE

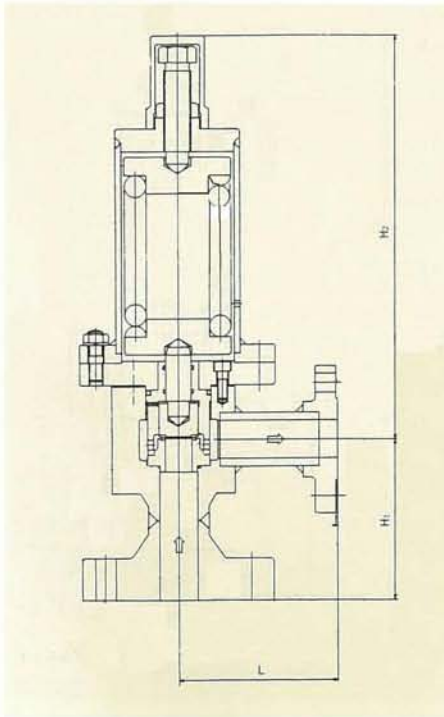
- MULTISTAGE ORIFICE FOR HIGH PRESSURE WATER PIPES.

SIZE	L
20A	200
25A	250
32A	320
40A	400
50A	500



## SAFETY VALVE FOR PUMPS

### DIRECT ACTING SAFETY VALVE



#### ■ SPECIFICATIONS

- FLUID : INDUSTRIAL WATER
- MAX. SETTING PRESSURE : 19.6 MPa

SIZE	L	H <sub>1</sub>	H <sub>2</sub> ※
20A	130	120	425
25A	130	130	425
32A	140	140	565
40A	140	140	565
50A	180	180	565
80A	240	240	710

※ H2 MEASUREMENT IS AN OUTLINE

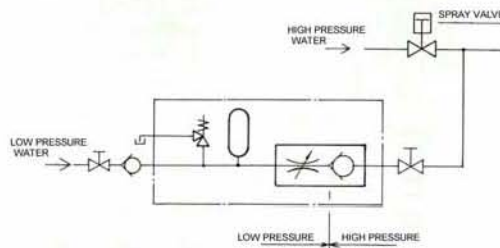
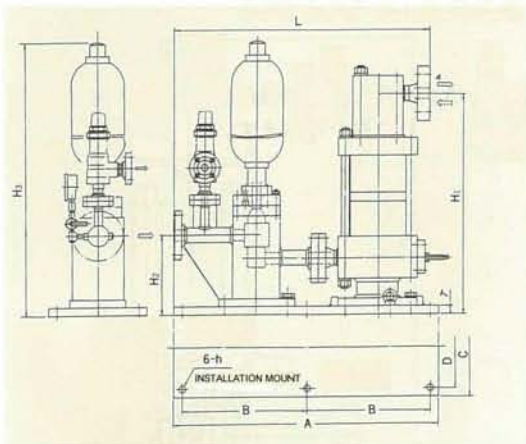
### LOW PRESSURE PIPES UNIT

#### ■ SPECIFICATIONS

- FLUID : INDUSTRIAL WATER
- PRESSURE : HIGH PRESSURE SIDE CLASS 1500LB  
LOW PRESSURE SIDE CLASS 300LB

#### ■ USE

- USED IN A SPRAY NOZZLE HEADER OF LOW PRESSURE PIPES UNIT FOR PLUNGER PUMPS.



SIZE	L	H <sub>1</sub>	H <sub>2</sub>	H <sub>3</sub>	A	B	C	D	h	T
25A	845	600	210	1020	900	425	420	370	23	20
40A	940	725	255	1065	1000	450	400	350	27	25
50A	1025	885	285	1105	1100	525	540	490	27	25
80A	1140	1080	280	1400	1200	550	500	400	30	30

SPRAY VALVE



PRESSURE ADJUSTMENT VALVE  
(PRESSURE UP VALVE)



SAFETY VALVE FOR PUMPS  
DIRECT ACTING SAFETY VALVE



SHUT OFF VALVE  
FOR PRESSURE ACCUMULATOR



SAFETY VALVE FOR PUMPS  
PILOT ACTING SAFETY VALVE BODY



PILOT ACTING SAFETY VALVE UNIT



## MAIN PRODUCTS

- SOLENOID VALVES
- LIQUID LEVEL GAUGES
- BREATHER VALVE
- FLAME ARRESTER
- SAFETY VALVES, RELIEF VALVES.
- GAS SEAL UNIT
- REDUCING VALVES
- HYDRAULIC VALVES



ISO9001 Approved, Certified Business for High-pressure Gas Test and Manufacture

# Kaneko Sangyo Co., Ltd.

Home page: <http://www.kaneko.co.jp>

Head Office: 5-10-6, Shiba, Minato-ku, Tokyo 108-0014, Japan  
Tel: 03-3455-1414 Fax: 03-3456-5820

Hiratsuka Factory: 5-3-9, Higashiyawata, Hiratsuka City, Kanagawa 254-0016, Japan  
Tel: 0463-23-1511 Fax: 0463-23-8055

Fukuyama Office: 2-24-25, MinamiZaoh-cho, Fukuyama-city, Hiroshima 721-0973, Japan  
Tel: 084-923-5877 Fax: 084-923-5892

Shanghai Kaneko: No.318 Xiao Wan RD. Shanghai Comprehensive Industrial Development  
Zone. Zong Xing Area Shanghai 201400 China.  
Tel: 8621-5743-3600 Fax: 8621-5743-3700  
[Http:// www.kaneko.com.cn](http://www.kaneko.com.cn)

AGENT